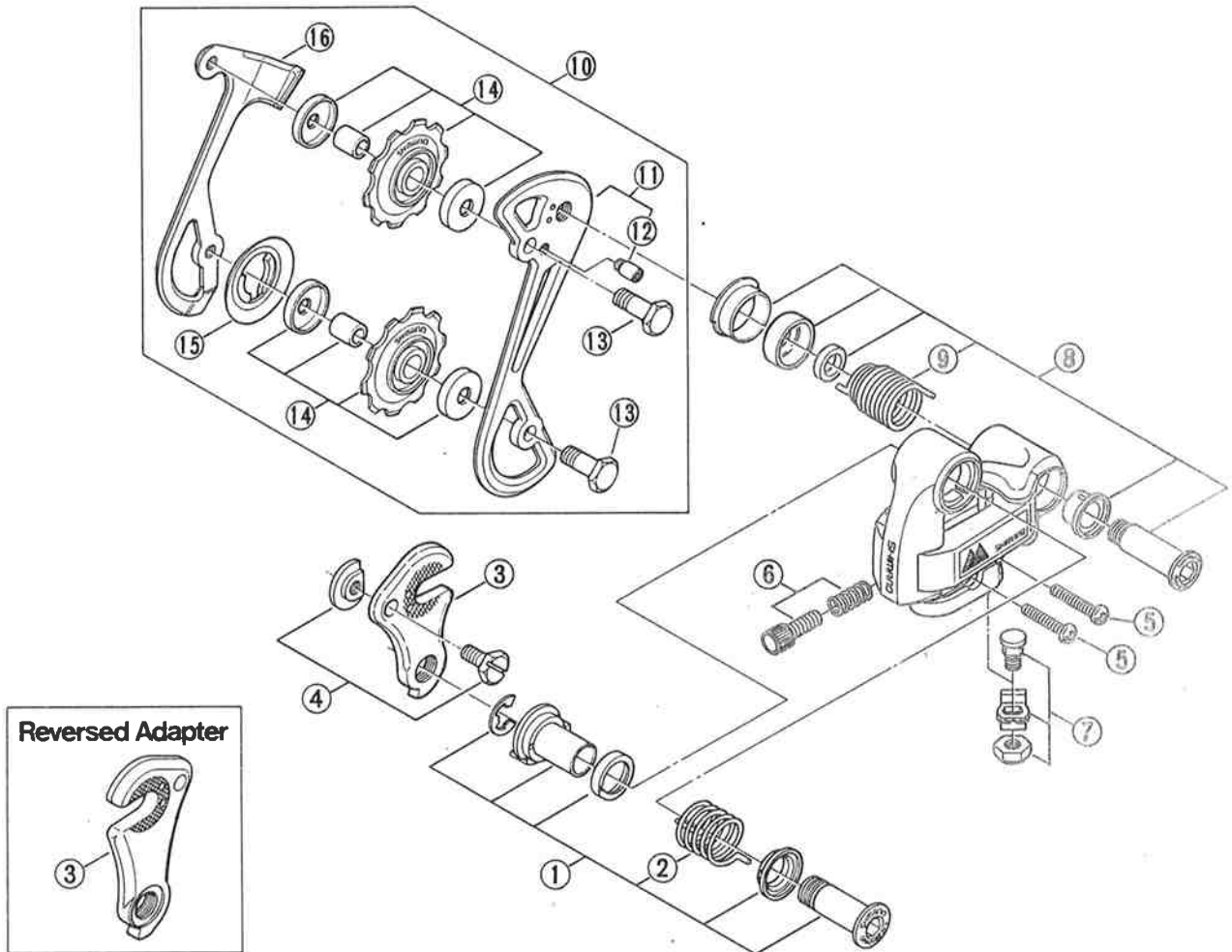


You may photocopy this sheet and use it as an order form.



Model RD-AL11 Rear Derailleur



ITEM NO.	PART NO.	DESCRIPTION	Q'TY
* 1	3-519 9804	Bracket Axle Assembly	
* 2	568 2900	B-Tension Spring	
3	541 2705	Adapter	
	519 0600	Reversed Adapter	
4	3-525 9069	Adapter Screw & Nut	
5	000 1014	Stroke Adjusting Screw	
6	3-541 9002	Cable Adjusting Barrel & Spring	
7	3-566 9803	Cable Fixing Bolt Unit	
8	3-567 9831	Plate Axle Assembly	
9	519 0400	P-Tension Spring	
10	3-519 9802-1	Pulley Plate Assembly	
*11	3-519 9803-1	Outer Plate & Plate Stopper Screw	
12	568 2600	Plate Stopper Screw	
13	569 0800	Pulley Bolt	
14	3-554 9806	Pulley Unit	
15	534 2500-1	S.B. Cap	
16	567 2201	Inner Plate	

Printed in Japan 8403-562B